

TIMER CONTROLLED CONDENSATE DRAIN (TDM series)

DESCRIPTION

Timer controlled condensate drains have been developed for reliable removal of condensate or other liquids from compressed air system⁽¹⁾. Timer electronic is in control of discharging of condensate based on the discharge intervals. Discharge intervals can be set with two adjustment knobs.

APPLICATIONS⁽²⁾

- Air Compressor (piston or screw)
- After-cooler
- Cyclone condensate separator
- Pressure vessel/Air tank
- Air dryer
- Air filter

⁽¹⁾ For any other technical gas please contact us or your local dealer

⁽²⁾ Drains can be used in variety of applications. For applications not listed please contact us or your local dealer.



TECHNICAL SPECIFICATIONS

Operating temperature	1,5 - 65 °C	35 - 149 °F
Protection class	IP65	
Supply voltage	115V / 230V (±10%), AC, 50/60Hz	
Coil power	18VA (holding), 36 (inrush)	
Cable dimensions	3 x 0,75mm ²	
Valve	Direct acting solenoid valve, 2/2, Normally closed	
Connector	DIN EN 175301-803 form A	
Time ON	0,5s - 10s	
Time OFF	0,5min - 45min	
Indicator	LED light "Green- Valve open"	

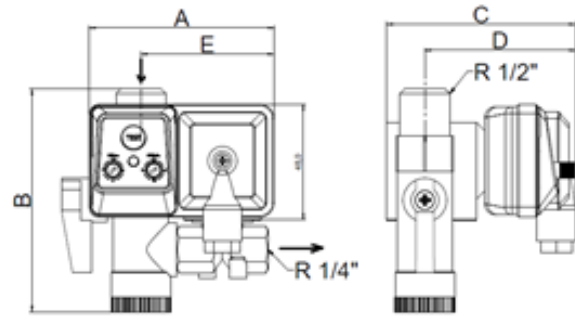
MATERIALS

Housing material	PA6, 30% glass fibre
Screws	Steel-zinc plated
Coil	Epoxy coated
Valve	Brass (stainless steel plunger)
Housing sealing	NBR
Valve sealing	FKM
Strainer *	Brass
Internal strainer mesh	Stainless steel

*Strainer max working pressure is 50 barg.

DIMENSIONS

A	77 mm
B	93 mm
C	79 mm
D	63 mm
E	55 mm



TYPES

	Voltage	MAX. Pressure [barg]/[psig]	Medium	Mass [g]	Strainer*	Flow coefficient Kvs [l/min]
TD16M 115 VAC	115 V +/- 10%	16 / 232	Air, water, oil	510	Yes	2,4
TD16M 230 VAC	230 V +/- 10%	16 / 232	Air, water, oil	510	Yes	2,4
TD25M 115 VAC	115 V +/- 10%	25 / 362	Air, water, oil	510	Yes	1,5
TD25M 230 VAC	230 V +/- 10%	25 / 362	Air, water, oil	510	Yes	1,5
TD50M 115 VAC	115 V +/- 10%	50 / 735	Air, water, oil	580	Yes	0,7
TD50M 230 VAC	230 V +/- 10%	50 / 735	Air, water, oil	580	Yes	0,7
TD150M 115 VAC	115 V +/- 10%	150 / 2175	Air, water, oil	380	No	0,7
TD150M 230 VAC	230 V +/- 10%	150 / 2175	Air, water, oil	380	No	0,7
TD16Mcr 115 VAC	115 V +/- 10%	16 / 232	Aggressive fluids	460	No	3,4
TD16Mcr 230 VAC	230 V +/- 10%	16 / 232	Aggressive fluids	460	No	3,4

*Strainer max working pressure is 50 barg.

APPROXIMATE CALCULATION OF DISCHARGE CAPACITY


$$Q = Kvs \times \sqrt{\Delta p} \times \left(\frac{\frac{TimeON}{60}}{\frac{TimeON}{60} + Time OFF} \right)$$

Q-Discharge capacity [l/min], Kvs-Flow coefficient, Δp-pressure difference [bar], Time ON and Time OFF are determined by adjustment knobs, the range of each timer is specified in technical specification.

MAINTENANCE

Clean strainer (filter mesh) at least every six months. If necessary, disassemble and clean the valve.

INFORMATION IN THIS DOCUMENT IS SUBJECT TO CHANGE WITHOUT NOTICE

	Our quality management system is certified by BUREAU VERITAS in conformity with ISO 9001:2008 Reg. number: 200285
---	--