

AUTOMATIC CONDENSATE DRAIN

AOK 20SS Ex

DESCRIPTION

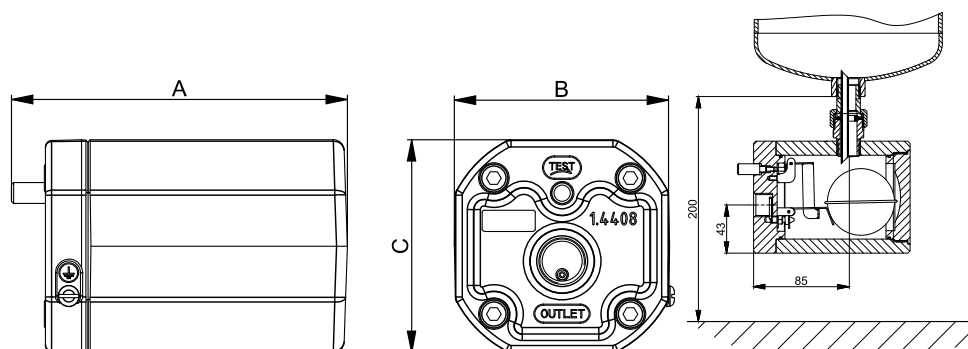
AOK 20SS Ex has been developed for fully automatic discharging of condensate or other fluids from compressed air/gas system. Condensate accumulates in the stainless-steel reservoir and when the level of condensate is high enough it is being discharged from the system without any air losses. Direct acting valve is operated by precise level-controlled floater which assures reliable and efficient operation. Thanks to robust stainless-steel housing it is suitable for heavy duty applications.



TECHNICAL SPECIFICATION

	Technical data	
Operating temperature	1,5 - 120 °C	35 – 248 °F
Operating pressure range	0 - 20 bar(g)	0 - 290 psi
Minimum recommended operating pressure	1,5bar(g)	21,8 psi
Operating media	Condensate (air, water, oil)	
Nominal discharge capacity	167 l/h (at 7barg)	252 l/h (at 16barg)
Discharge orifice cross section	1,8mm	0,0708 inch
Inlet connection	G ½" (NPT on request)	
Outlet connection	G ½" (NPT on request)	
Reservoir volume	0,4 l	
Weight	5,835 kg	
Dimensions (A x B x C)	157 mm x 100 mm x 100 mm	
Valve type	Direct acting, normally closed	

DIMENSIONS



MATERIALS

Part	Material
Housing material	Stainless steel 1.4404
Fittings, Screws	Stainless steel 1.4404
Floater	Stainless steel 1.4404
Sealing	FKM

CALCULATION OF CAPACITY

For rough calculation of discharge capacity at certain pressure use following equation:

$$Q = 63\sqrt{\Delta p} \quad \text{Example: if operating at 7 barg; } Q = 63\sqrt{7} = 166,7 \text{ l/h}$$

PRESSURE EQUIPMENT DIRECTIVE PED 2014/68/EU

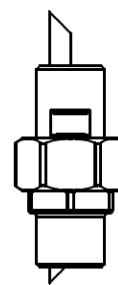
Product	Category, module
AOK 20SS Ex	Not required

MAINTENANCE

Once per year make a visual check of the drain and make sure there is no visual damage or leakage. Clean interior of the reservoir regularly. Intervals of cleaning depend on contamination of condensate. Replace the sealings if necessary.


RECOMMENDATIONS

- We recommend the use of ball valve between pressure vessel and inlet connection for easier maintenance.
- If strainer is installed make sure it is not clogged. Clogged strainer might prevent condensate flow into the condensate drain.
- We recommend to install nipple with venting tube to avoid generation of air bubbles.



Condensate discharged from compressed air system contains significant amounts of lubricant oil. We strongly recommend connecting AOK 20SS Ex to oil water separator. In most countries content of oil in waste water is regulated by law.

INFORMATION IN THIS DOCUMENT IS SUBJECT TO CHANGE WITHOUT NOTICE

	<p>Our quality management system is certified by BUREAU VERITAS in conformity with ISO 9001:2015 Reg. number: 200285</p>	
---	--	--