

WELDED STAINLESS STEEL FILTER HOUSING – WHFIF

(flanged connection)

DESCRIPTION

WHFIF welded stainless steel filter housings with flange connections have been specifically developed for filtration of compressed gas ⁽¹⁾ where the risk for corrosion is very high or where stainless-steel housing is required. To meet the required gas quality appropriate filter element must be installed into filter housing.



APPLICATIONS ⁽²⁾

- Biotechnology
- Breweries
- Chemical industry
- Petrochemical industry
- Diaries
- Fermentation processes
- Pharmaceutical industry
- Hospitals

⁽¹⁾ For list of suitable gasses please contact us or your local dealer

⁽²⁾ WHFIF process filter housing can be used in variety of applications. For applications not listed please contact us or your local dealer.

TECHNICAL SPECIFICATION

Operating temperature	-20 - 150 °C	-4 / + 302 °F
Operating pressure	0 –50 bar(g)	0 – 725 psi

⁽³⁾ Actual operating temperature depends on sealing material and type of filter element. For temperatures below 0°C contact manufacturer

MATERIALS

Housing material	Stainless steel (quality 1.4404; on request 1.4301)
Sealing	FKM (Optional EPDM or SILICONE)
Housing finishes	Polished down to grade Ra1.6
Lubricant	(Optional Shell Cassida Grease RLS 2)

SIZES

FILTER HOUSING	PIPE SIZE-D [inch]	FLOW CAPACITY		DIMENSIONS [mm]				VOLUME [l]	WEIGHT [kg]
		[Nm ³ /h]	[scfm]	A	B	B ⁽⁴⁾	C		
WHFIF 010	DN15	150	88	231	211	222	76,1	0,8	4,7
WHFIF 018	DN20	225	132	268	217	232	76,1	0,9	5,6
WHFIF 030	DN25	315	185	282	259	264	88,9	1,4	7
WHFIF 047	DN32	420	247	362	271	278	88,9	1,7	11
WHFIF 070	DN40	600	353	398	302	326	114,3	3,5	16,6
WHFIF 094	DN50	900	530	468	302	406	114,3	4,1	17,1
WHFIF 150	DN50	1260	742	588	302	406	114,3	5,3	22
WHFIF 200	DN80	2400	1413	998	410	415	139,7	14	34,7

Flow capacity at 7 bar(g), 20°C

Standard is BSP pipe connection, other pipe connection on request.

B = flange connection EN 1092-1/11 PN63

B⁽⁴⁾ = flange connection ANSI B16.5 WN CI 300

PRESSURE EQUIPMENT DIRECTIVE PED 2014/68/EU (Fluid group 1)⁽⁵⁾

WHFIF 010 - WHFIF 018 Article 4.3

WHFIF 030 - WHFIF 070 Category 2, Module H

WHFIF 094 - WHFIF 200 Category 3, Module H

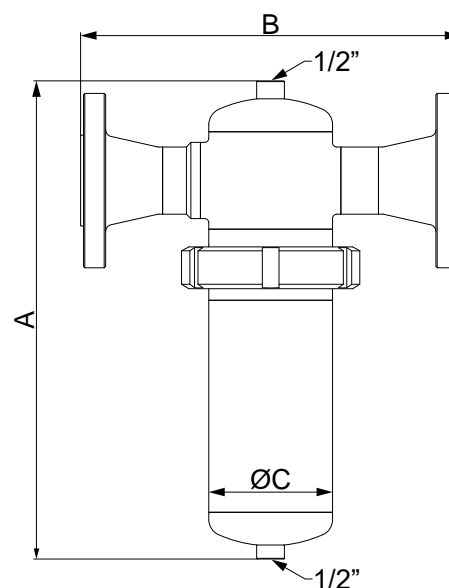
PRESSURE EQUIPMENT DIRECTIVE PED 2014/68/EU (Fluid group 2)

WHFIF 010 - WHFIF 018 Article 4.3

WHFIF 030 - WHFIF 094 Category 1, Module H

WHFIF 094 - WHFIF 200 Category 2, Module H

⁽⁵⁾ Fluid group must be specified in the order, if not standard fluid group 2 is selected.



CORRECTION FACTORS

To calculate the correct capacity of a given filter based on actual operating conditions, multiply the nominal flow capacity by the appropriate correction factor(s).

CORRECTED CAPACITY = NOMINAL FLOW CAPACITY x C_{OP}

OPERATING PRESSURE

[bar]	3	5	7	10	13	16	20	30	40	50
[psi]	44	72	100	145	189	232	290	435	580	725
C _{OP}	0,50	0,75	1	1,38	1,75	2,13	2,63	3,88	5,13	6,38

MAINTENANCE

Replace filter element at least every 12 months or follow the instructions for specific filter element. Once per year make a visual check of filter housing and make sure there is no visual damage.

INFORMATION IN THIS DOCUMENT IS SUBJECT TO CHANGE WITHOUT NOTICE

	<p>Our quality management system is certified by BUREAU VERITAS in conformity with ISO 9001:2015 Reg. number: 200285</p>
--	--