

TIMER CONTROLLED CONDENSATE DRAIN – TD420M

DESCRIPTION

TD420M timer controlled condensate drain has been developed for reliable removal of condensate or other liquid from high pressure compressed air system⁽¹⁾. Discharge intervals can be set with two adjustment knobs. TD400M drain is available with a kit for easy installation and providing many mounting positions.



APPLICATIONS⁽²⁾

- Air Compressor (piston or screw)
- After-cooler
- Cyclone condensate separator
- Pressure vessel/Air tank
- Air dryer
- Air filter

⁽¹⁾For any other technical gas please contact us or your local dealer

⁽²⁾TD400M can be used in variety of applications. For applications not listed please contact us or your local dealer.

TECHNICAL SPECIFICATIONS⁽³⁾

Operating temperature	1,5 - 150 °C	35 - 302 °F
Ambient temperature	1,5 - 65 °C	35 - 149 °F
Operating pressure ⁽⁴⁾	0 - 420 bar(g)	0 – 6091 psi
Protection class	IP65	
Supply voltage	230V (±10%), AC, 50/60Hz	
Coil power	8W	
Cable dimensions	3 x 0,75mm ²	
Mass (timer + valve)	0,35kg	
Mass (fittings + needle valve)	0,23kg	
Valve	Direct acting solenoid valve, 2/2, Normally closed	
Connector	DIN EN 175301-803 form A	
Time ON	0,5s - 10s	
Time OFF	0,5min - 45min	
Indicator	LED light	

⁽³⁾Standard version (TD400M 230V AC)

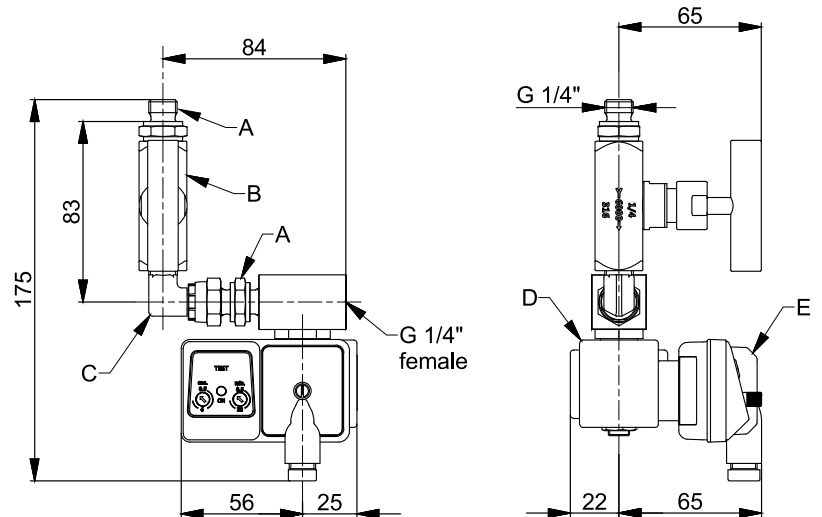
⁽⁴⁾Version TD420M 24V DC only up to a pressure 400 bar(g) (5800 psi)

MATERIALS

Controller housing	PA6 GF30
Screws	Steel-zinc plated
Coil	Epoxi coated
Valves	Stainless steel 1.4305
Valve sealing	PEEK
Fittings	Stainless steel 1.4571
Internal strainer mesh	Stainless steel

PARTS LIST

A	Nipple
B	Needle valve
C	Elbow
D	Electromagnetic valve
E	Timer



TYPES

Type	Voltage	Power	MAX. Pressure [barg]/[psig]	Medium	Flow coefficient Kvs [l/min]
TD420M 230V AC	230V AC 50/60Hz	8W	420 / 6091	Air, water, oil	0.3
TD420M 24V DC	24V DC	18W	400 / 5800	Air, water, oil	0.3

APPROXIMATE CALCULATION OF DISCHARGE CAPACITY


$$Q = Kvs \times \sqrt{\Delta p} \times \left(\frac{\frac{TimeON}{60}}{\frac{TimeON}{60} + Time OFF} \right)$$

Q-Discharge capacity [l/min], Kvs-Flow coefficient, Δp-pressure difference [bar], Time ON and Time OFF are determined by adjustment knobs, the range of each timer is specified in technical specification (page 1).

MAINTENANCE

Once per week make a visual check of the fittings and valve with timer controller. Next to a visual check we must do timer and electromagnetic valve test by pressing the test button on timer controller. If necessary disassemble and clean the valve and fittings.

INFORMATION IN THIS DOCUMENT IS SUBJECT TO CHANGE WITHOUT NOTICE

	<p>Our quality management system is certified by BUREAU VERITAS in conformity with ISO 9001:2008 Reg. number: 200285</p>	
---	--	--